

Gain Uninterrupted Peak Performance

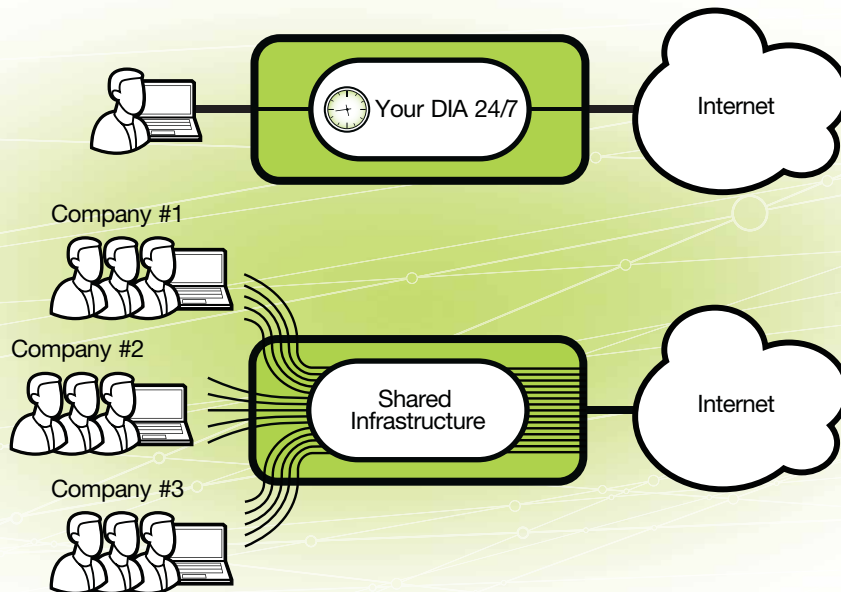
Connect Directly to the PEER 1 Hosting FastFiber Network™ with Dedicated Internet Access.

Maximum Performance – Round-the-Clock NOC Support – 100% Uptime SLA

Internet traffic is the backbone of nearly every business today. It's how companies manage internal processes, interact with partners, and—most especially—connect with customers. For all of these cases, speed and reliability are paramount.

Shared bandwidth presents obstacles here. For many businesses, lags, delays, downtime are unacceptable. This group includes service providers, companies that provide self-service or other customer-facing functionality online, and companies whose own business processes depend on uninterrupted, high-performance connections.

For those users, PEER 1 Hosting offers Dedicated Internet Access, a never-shared, never-interrupted connection directly into the PEER 1 Hosting FastFiber Network. With Dedicated Internet Access, your business has constant upload and download speeds, the lowest possible network latency, always the fastest speed available, and our 100% performance and availability SLA.



BENEFITS

Always Supported. PEER 1 Hosting's Dedicated Internet Access delivers round-the-clock, immediate access to PEER 1 Hosting's FirstCall Support™. First Call Support delivers direct access to the NOC. No phone queues and no offshore call centers, just our Cisco and Juniper certified NOC technicians answering your call and resolving your issues.

Always Maximum Speed. Because it's your traffic, and only your traffic, that uses the bandwidth, once you configure the ideal pipe size, you know it will always deliver the performance you require.

Always Available. PEER 1 Hosting's Dedicated Internet Access is covered by a 100% uptime Service Level Agreement.

FEATURES

FastFiber Network™. The PEER 1 Hosting FastFiber Network spans 15,000 miles of wholly-owned fiber, 21 points of presence, 17 data centers, and over 1,000 peering relationships (including Tier 1 providers).

100% Uptime SLA. We offer the industry's best Service Level Agreements for every customer including 100% uptime guarantee, low latency, and unrivaled provisioning time.

Scalability. Simply and immediately scale your bandwidth up or down, to accommodate business growth or to fine tune to accommodate traffic loads.

Full Redundancy. Because you're on the FastFiber Network™ backbone, you can be certain that every element of our infrastructure—from router to DNS server to the physical fiber—is redundant to handle any situation.

Border Gateway Protocol. Our technicians are BGP experts, able to customize sessions and optimize routes for you and get it done the same business day.

Ethernet Over Fiber (EoF). Your direct connection to the backbone is done entirely with state of the art Ethernet over Fiber connections.

Locations. PEER 1 Hosting Dedicated Internet Access is available at the following locations:

- Amsterdam
- Atlanta
- Chicago
- Dallas
- Fremont
- London
- Los Angeles
- Miami
- Montreal
- San Antonio
- San Jose
- Seattle
- Toronto
- Vancouver
- Washington DC

TECHNICAL SPECIFICATIONS

Port Speeds

- FastE
- GigE

Bandwidth Levels

- FastE 10-100Mb/s
- GigE 100-1000Mb/s

Access Methods

- Cross Connect
- Dark Fiber
- Metro Ethernet

TECHNICAL SPECIFICATIONS *continued from previous page***Protocols Supported**

- IPv4
- IPv6
- MPLS

Service Level Agreement

- 100% Network Availability
- 45ms Network Latency (North America)
- 0.5% Packet Loss
- Five Business Day On-Net Installation

CONTACT US TODAY

- Call us at **1.866.579.9690**
- Go to **www.peer1.com** and chat with an online sales assistant.